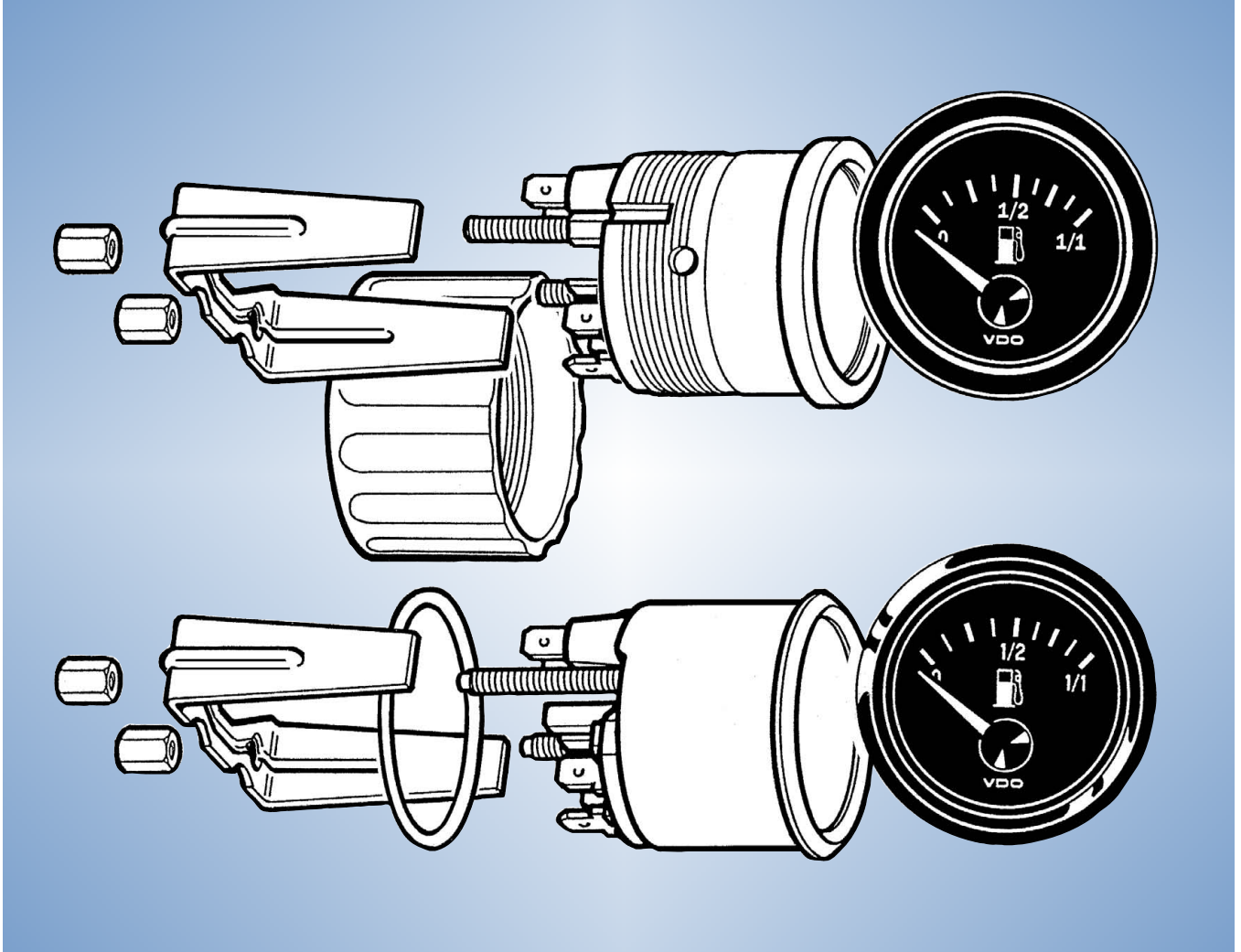


VDO cockpit vision / international

Instruments



www.siemensvdo.com

Technical Product Manual

7. Electric Temperature Gauge (dia. 52 mm)

7.5 Testing Instructions

Test of the movement

Connect the instrument as shown in the test circuit diagram, using test cable 3.

The indication can be tested with the resistor decade 'sensor simulator'.

The following tables shows the resistance values and the permissible indication tolerances in angular degrees.

20 to 100 °C

Indication (°C)	20	40	60	80	100
Resistance (Ω)	700	287.4	134	69.1	38.5
Deflection (°∠)	0	27	60.5	80.5	90
Tolerance (°∠)	± 2.7	± 2.7	± 2.7	± 2.7	± 2.7

40 to 120 °C

Indication (°C)	40	50	60	70	80	90	100	110	120
Resistance (Ω)	287.4	193.3	134	95.2	69.1	51.3	38.6	29.4	22.7
Deflection (°∠)	0	3.3	8.3	15.5	25.8	40	58	75.2	88.2
Tolerance (°∠)	± 3.6	± 3.6	± 3.6	± 3.6	± 3.6	± 3.6	± 3.6	± 3.6	± 3.6

50 to 150 °C

Indication (°C)	50	80	90	100	110	120	130	140	150
Resistance (Ω)	322.8	112.5	83	62.2	47.5	36.5	28.9	23.1	18.6
Deflection (°∠)	0	12.4	19.8	29.6	42	56.8	69.7	80.2	88.1
Tolerance (°∠)	± 3.6	± 3.6	± 3.6	± 3.6	± 3.6	± 3.6	± 3.6	± 3.6	± 3.6

60 to 200 °C

Indication (°C)	60	100	140	180	200
Resistance (Ω)	482	165	50.8	25.7	14.3
Deflection (°∠)	0	11.9	43.9	78.9	88.9
Tolerance (°∠)	± 3.6	± 3.6	± 3.6	± 3.6	± 3.6